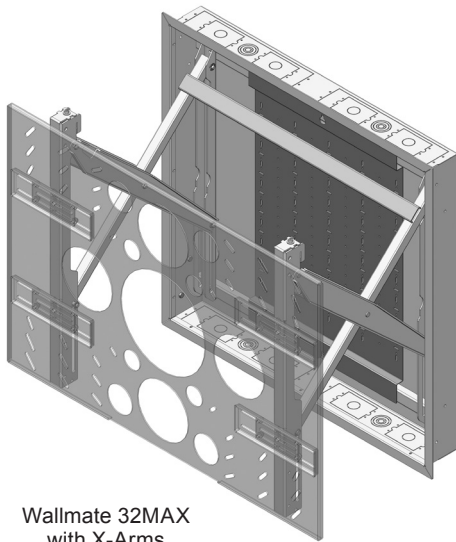
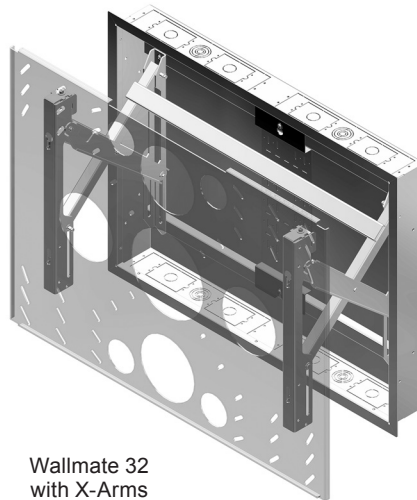


INSTALLATION INSTRUCTIONS

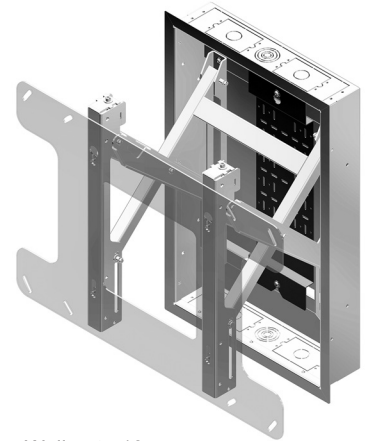
WALLMATE FLAT PANEL INTEGRATION SYSTEM



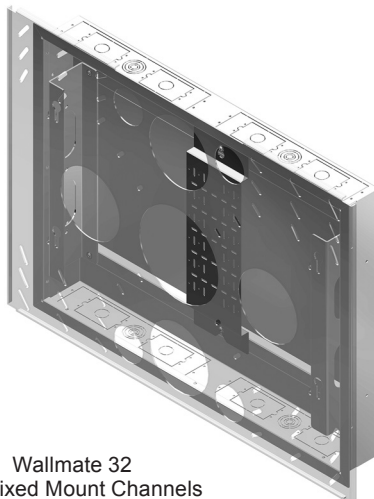
Wallmate 32MAX
with X-Arms



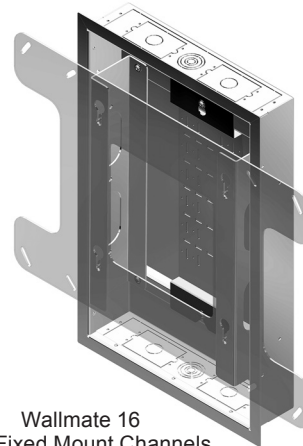
Wallmate 32
with X-Arms



Wallmate 16
with X-Arms



Wallmate 32
with Fixed Mount Channels



Wallmate 16
with Fixed Mount Channels



Phone: (714) 991-6400 • Fax: (714) 991-6407
www.rpvisuals.com • info@rpvisuals.com

TABLE OF CONTENTS

WEIGHT LIMITATIONS	2
REQUIRED TOOLS	2
PARTS IDENTIFICATION	3 - 4
SPECIFICATIONS	5
FRAMING PREPARATION	6
BACK BOX INSTALLATION	6 - 8
Prepare Back Box for Electrical Connections	7
Drywall Installation	8
Trim Installation	8
MOUNTING ARM INSTALLATION	9 - 10
Install X-Arms	9
Install Fixed Mount Channels	10
OPTIONAL TILT ARM INSTALLATION	11
Mount to X-Arms	11
Mount to Fixed Mount Channels	11
ACCESSORY COMPONENT INSTALLATION	12
Mount to Peripheral Plate	12
DISPLAY INSTALLATION	13 - 15
Mount to Thin VESA Plate	13
Mount to Horizontal Shift VESA Plate	13
Install VESA Plate to X-Arms	14
Install VESA Plate to Fixed Mount Channels	15
FINAL ADJUSTMENTS	16 - 17
Adjust Display to Plumb	16
Adjust Display to Level	16
Adjust Horizontal Shift VESA Plate	17

IMPORTANT: READ THIS MANUAL THOROUGHLY BEFORE BEGINNING INSTALLATION

WEIGHT LIMITATIONS

Model	Weight Capacity
Wallmate 16	125 lbs (57 kg)
Wallmate 32	300 lbs (136 kg)
Wallmate 32MAX	350 lbs (159 kg)

REQUIRED TOOLS

- 1/4" and 3/16" Allen Wrenches
- M6 and M8 Allen Wrenches
- Flat Head Screwdriver
- Phillips Head Screwdriver
- 1/2" Socket Wrench
- Level

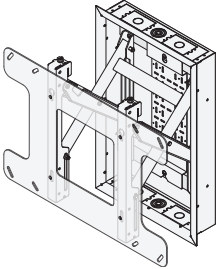
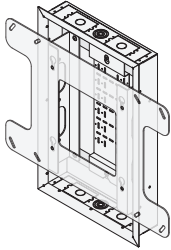
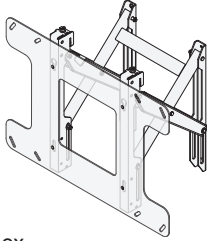
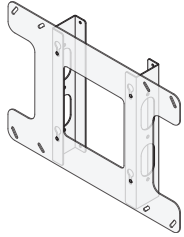
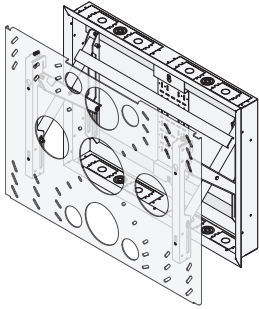
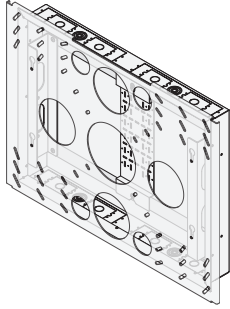
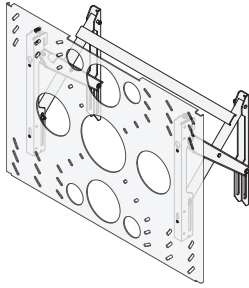
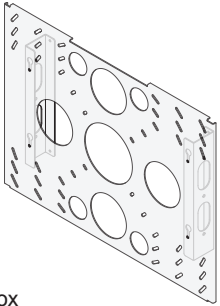
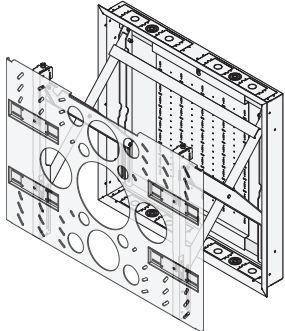
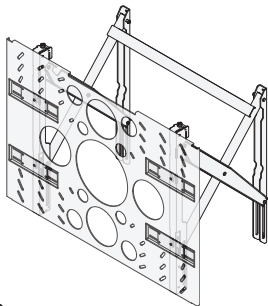
NOTE: Wallmate 32 shown in examples. Wallmate 16 and 32MAX have similar installation processes.

Copyright © 2020 RP Visual Solutions. All rights reserved.

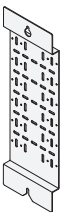
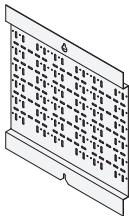
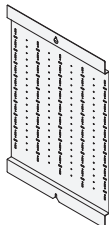
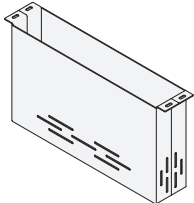
PARTS IDENTIFICATION

NOTE: Read these instructions carefully to identify the parts needed for your particular installation.

Wallmate Kits

<p>RPWM-16-XM-TNV</p>  <p>Thin X-Arm Wallmate 16 Kit</p>	<p>RPWM-16-FM-TNV</p>  <p>Thin Lift-Off Wallmate 16 Kit</p>	<p>RPWM-16-XM-TNV-NB</p>  <p>No Box Thin X-Arm Wallmate 16 Kit</p>	<p>RPWM-16-FM-TNV-NB</p>  <p>No Box Thin Lift-Off Wallmate 16 Kit</p>
<p>RPWM-32-XM-TNV</p>  <p>Thin X-Arm Wallmate 32 Kit</p>	<p>RPWM-32-FM-TNV</p>  <p>Thin Lift-Off Wallmate 32 Kit</p>	<p>RPWM-32-XM-TNV-NB</p>  <p>No Box Thin X-Arm Wallmate 32 Kit</p>	<p>RPWM-32-FM-TNV-NB</p>  <p>No Box Thin Lift-Off Wallmate 32 Kit</p>
<p>RPWM-32MAX-XM-TNV</p>  <p>Thin X-Arm Wallmate 32MAX Kit</p>	<p>RPWM-32MAX-XM-TNV-NB</p>  <p>No Box Thin X-Arm Wallmate 32MAX Kit</p>		

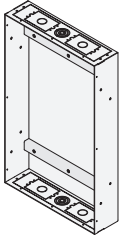
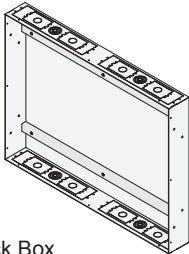
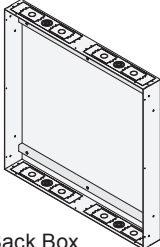
Wallmate Component Mounting Accessories

<p>RPWM-16-PM</p>  <p>Peripheral Device Mounting Plate for Wallmate 16 and 32</p>	<p>RPWM-32-PM</p>  <p>Optional Peripheral Device Mounting Plate for Wallmate 32</p>	<p>RPWM-32MAX-PM</p>  <p>Peripheral Device Mounting Plate for Wallmate 32MAX</p>	<p>RPWM-AUXBOX</p>  <p>In Wall Auxiliary Box</p>
--	--	--	---

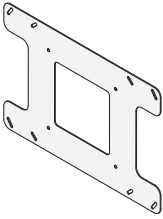
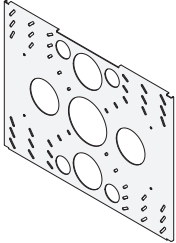
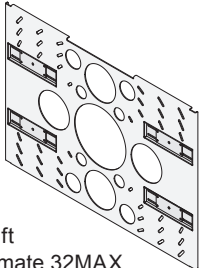
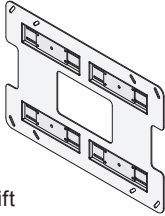
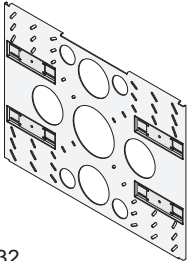
PARTS IDENTIFICATION (CONTINUED)

NOTE: Read these instructions carefully to identify the parts needed for your particular installation.

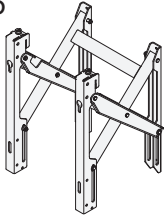
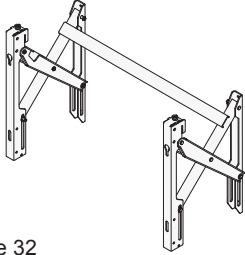
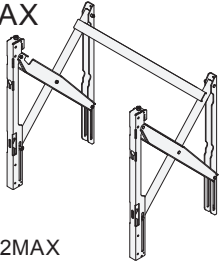
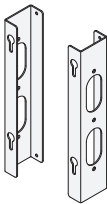

Wallmate Back Boxes

<p>RPWM-16-BOX</p>  <p>Wallmate 16 Back Box</p>	<p>RPWM-32-BOX</p>  <p>Wallmate 32 Back Box</p>	<p>RPWM-32MAX-BOX</p>  <p>Wallmate 32MAX Back Box</p>
--	--	--

Wallmate VESA Mounting Plates

<p>RPWM-16-TNV</p>  <p>Stock Thin VESA Plate for Wallmate 16</p>	<p>RPWM-32-TNV</p>  <p>Stock Thin VESA Plate for Wallmate 32</p>	<p>RPWM-32MAX-HSB</p>  <p>Stock Horizontal Shift VESA Plate for Wallmate 32MAX</p>
<p>RPWM-16-HSB*</p>  <p>Custom Horizontal Shift VESA Plate for Wallmate 16</p>	<p>RPWM-32-HSB*</p>  <p>Custom Horizontal Shift VESA Plate for Wallmate 32</p>	<p>NOTE: Custom TNV plates available for any display.</p> <p>RPWM-15-TNV-CUSTOM RPWM-32-TNV-CUSTOM RPWM-32MAX-TNV-CUSTOM</p>

Wallmate Mounting Versions

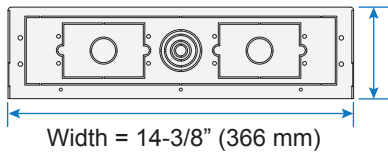
<p>RPWM-XM-16</p>  <p>X-Arms for Wallmate 16</p>	<p>RPWM-XM-32</p>  <p>X-Arms for Wallmate 32</p>	<p>RPWM-XM-32MAX</p>  <p>X-Arms for Wallmate 32MAX</p>
<p>RPWM-FM</p>  <p>Fixed Mount Channels for Wallmate 16 and 32</p>	<p>RPWM-TILT*</p>  <p>Optional 10 degree Tilt Arms. Combine with Fixed Mount Channels or X-Arms for Wallmate 16, 32 and 32MAX</p>	

* Parts made upon order with 4-6 weeks typical production time frame.

SPECIFICATIONS

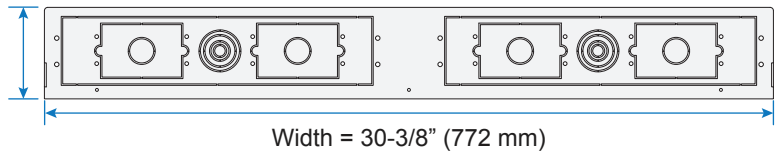
Black Boxes shown with Peripheral Panels as shipped.

Wallmate 16 (View from Top)

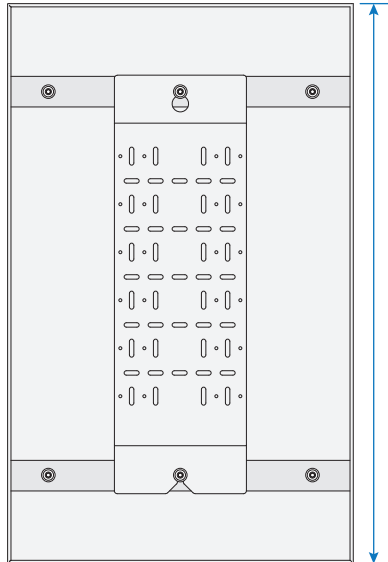


Depth = 3-13/16"
(97 mm)

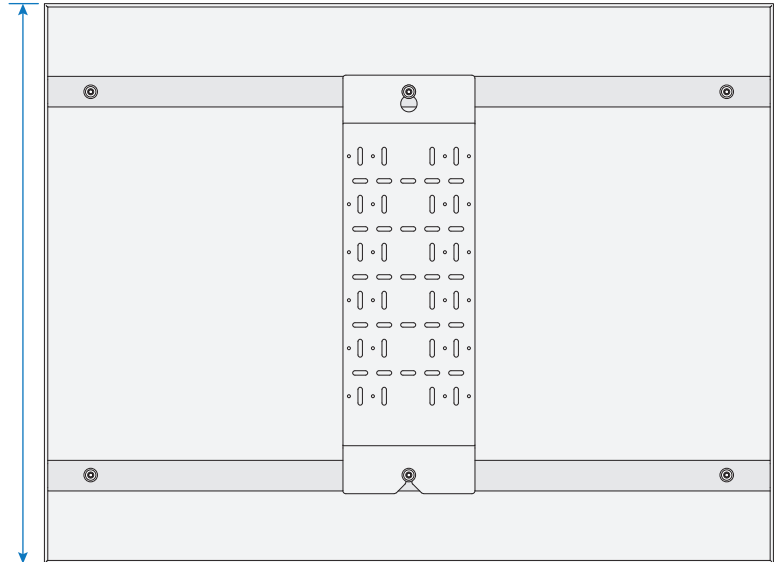
Wallmate 32 and Wallmate 32MAX (View from Top)



Wallmate 16 (View from Front)

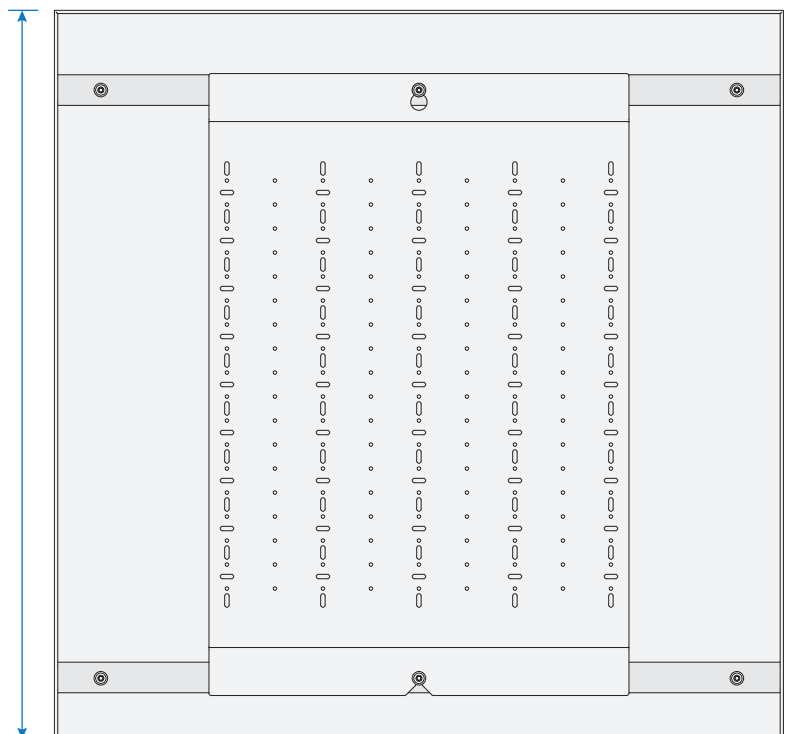


Wallmate 32 (View from Front)



NOTE: Back Box is shipped with Peripheral Device Mounting Plate and Mounting Arm Fasteners installed. Standard configurations shown. Trim Bezel with fasteners packed in carton.

Wallmate 32MAX (View from Front)



FRAMING PREPARATION

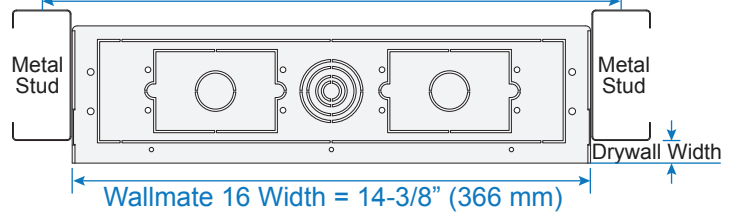
When framing, position all metal studs so that the closed side faces the rough opening.

IMPORTANT: Provide adequate structural support for system.

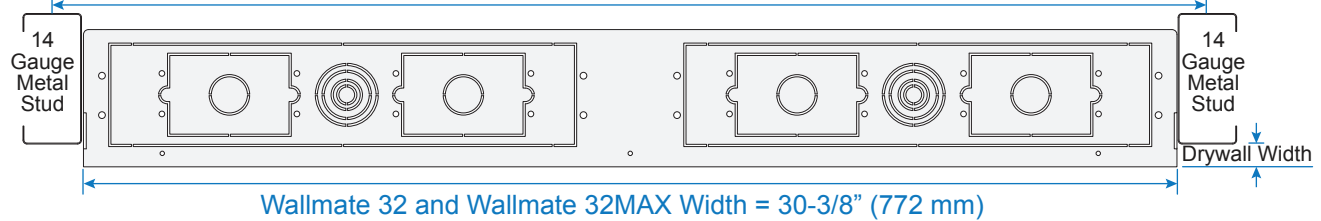
① Frame wall for installation.

IMPORTANT: Wallmate 16 fits in most standard framing to hold 125 lbs (57 kg). Wallmate 32 and 32MAX require 14 Gauge metal studs spaced 30-3/8" apart to hold 350 lbs (159 kg). Ensure your structure can support the weight.

① Typical Distance Between Studs = 16" (406 mm) On Center



① Typical Distance Between Studs = 32" (813 mm) On Center

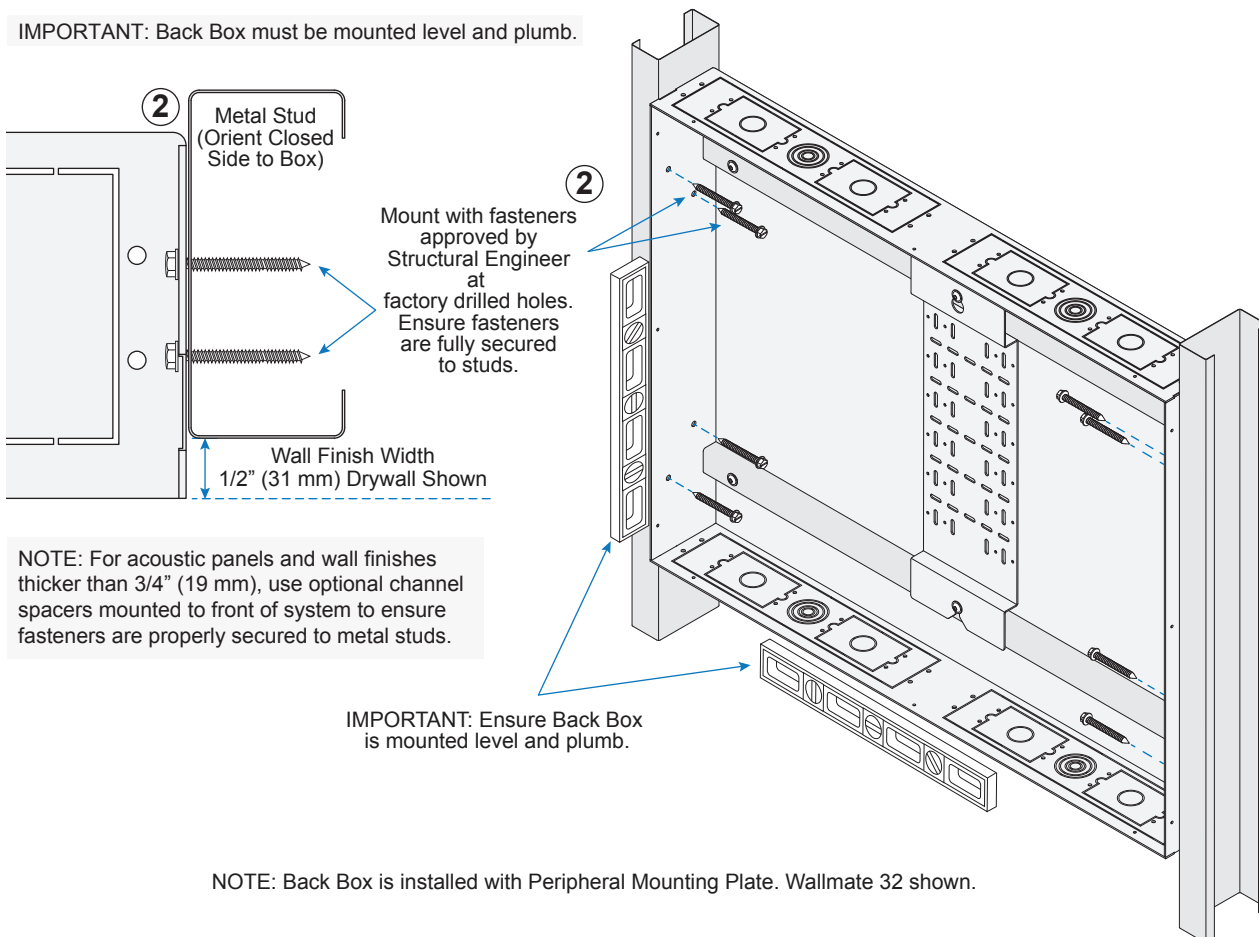


BACK BOX INSTALLATION

② Set Back Box between studs and shift forward to allow for wall thickness. Fasten to studs at sides.

IMPORTANT: Mount Back Box at factory drilled holes in sides with fasteners approved by structural engineer. Ensure fasteners enter stud. For wall finishes thicker than 3/4" (19 mm) such as acoustic panels, we offer optional channel spacers to mount to the front of the system.

IMPORTANT: Back Box must be mounted level and plumb.



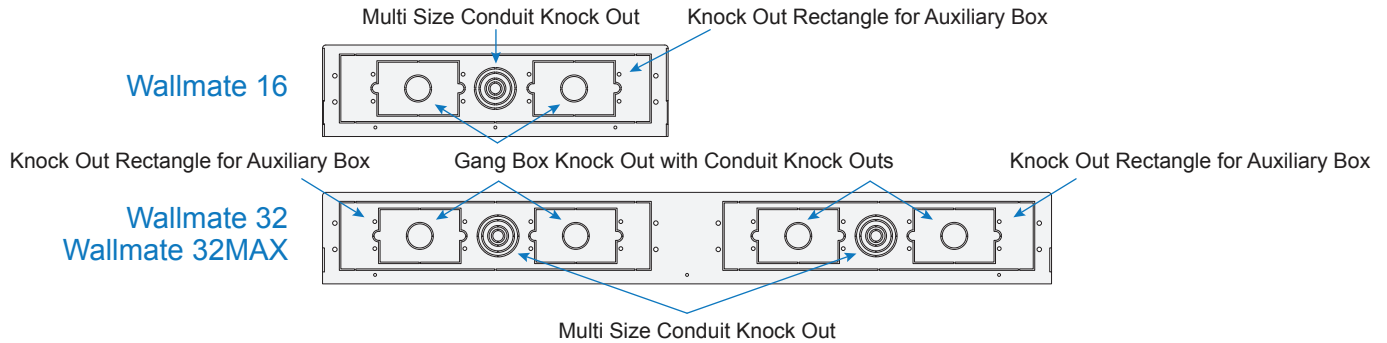
NOTE: Back Box is installed with Peripheral Mounting Plate. Wallmate 32 shown.

BACK BOX INSTALLATION (CONTINUED)

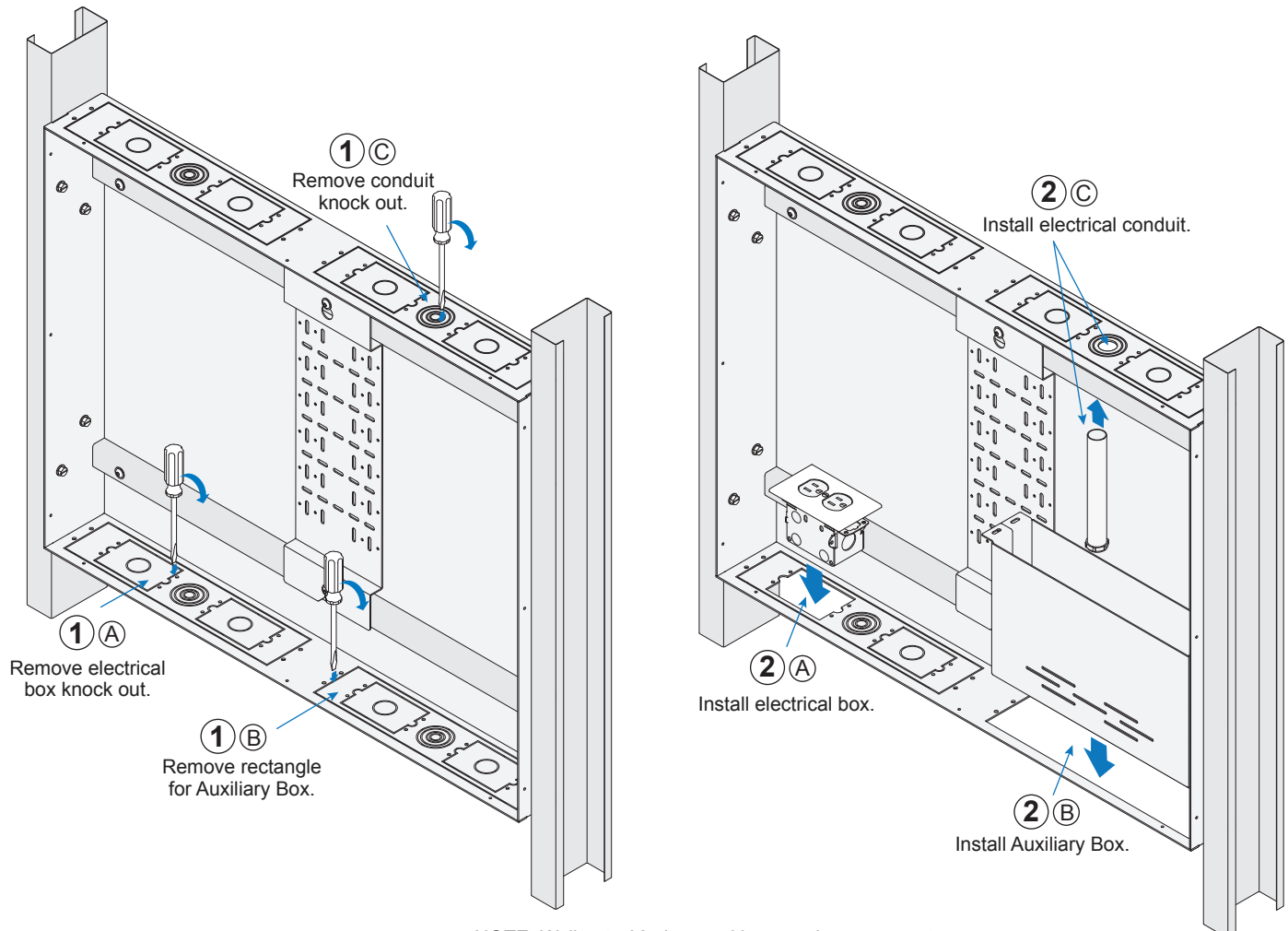
Prepare Back Box for Electrical Connections

The Back Box is designed with multiple options to easily knock out and install electrical boxes and conduits as well as an Auxiliary Box to store additional components. The same options are located on the top and bottom of each Back Box. Wallmate 32 and 32MAX have twice the amount of knock outs as the Wallmate 16.

Note: Only install the optional Auxiliary Box on the bottom. If installing the Auxiliary Box in the Wallmate 16, place the electrical and conduits at top.



- ① Use a Flat Head Screwdriver to pop out desired knock outs.
- ② Install components.

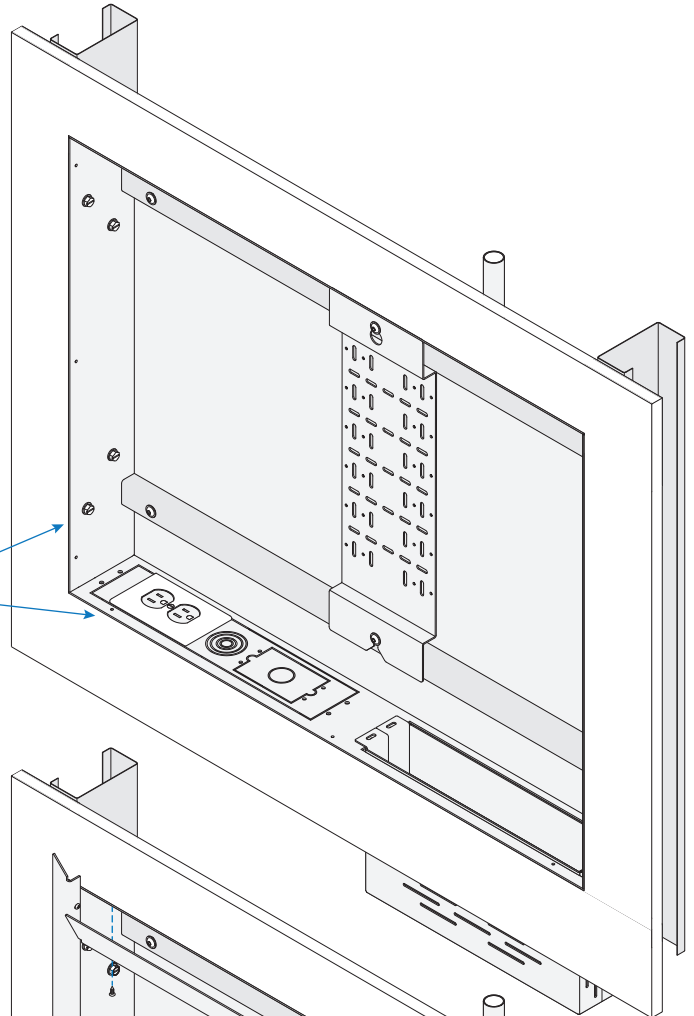
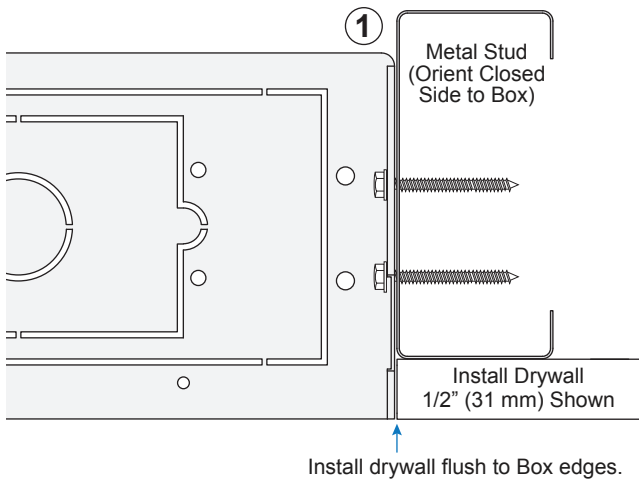


NOTE: Wallmate 32 shown with example components.

BACK BOX INSTALLATION (CONTINUED)

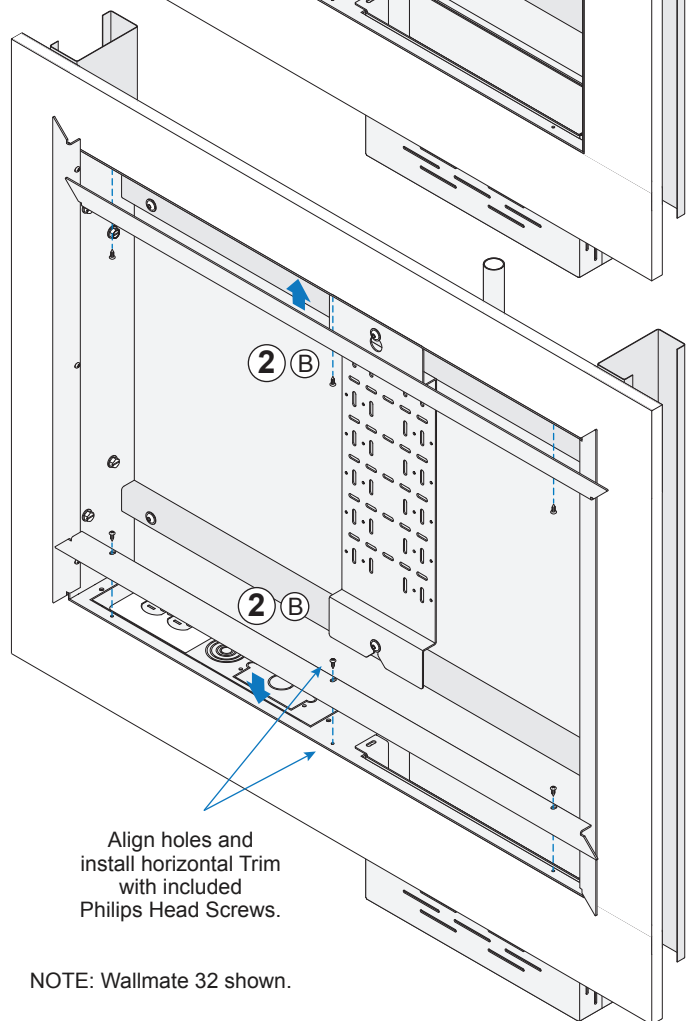
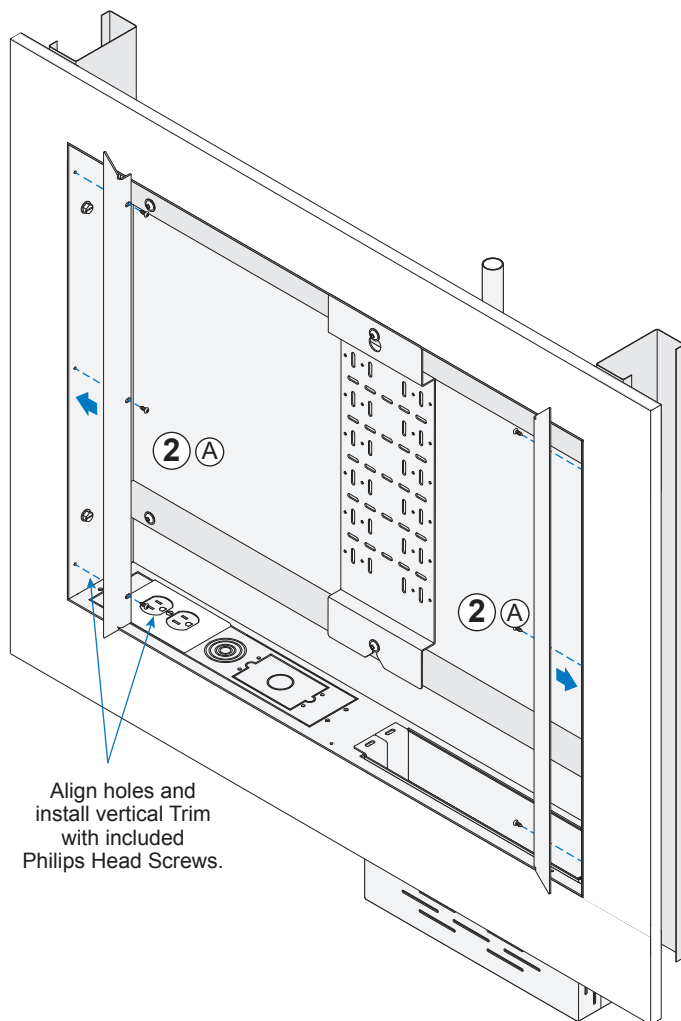
Drywall Installation

- ① Install drywall flush to edges of Back Box.



Trim Installation

- ② Install Trim Bezel with included screws.

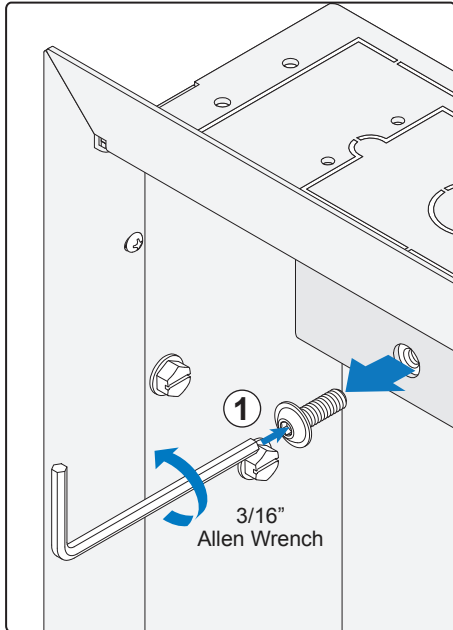


NOTE: Wallmate 32 shown.

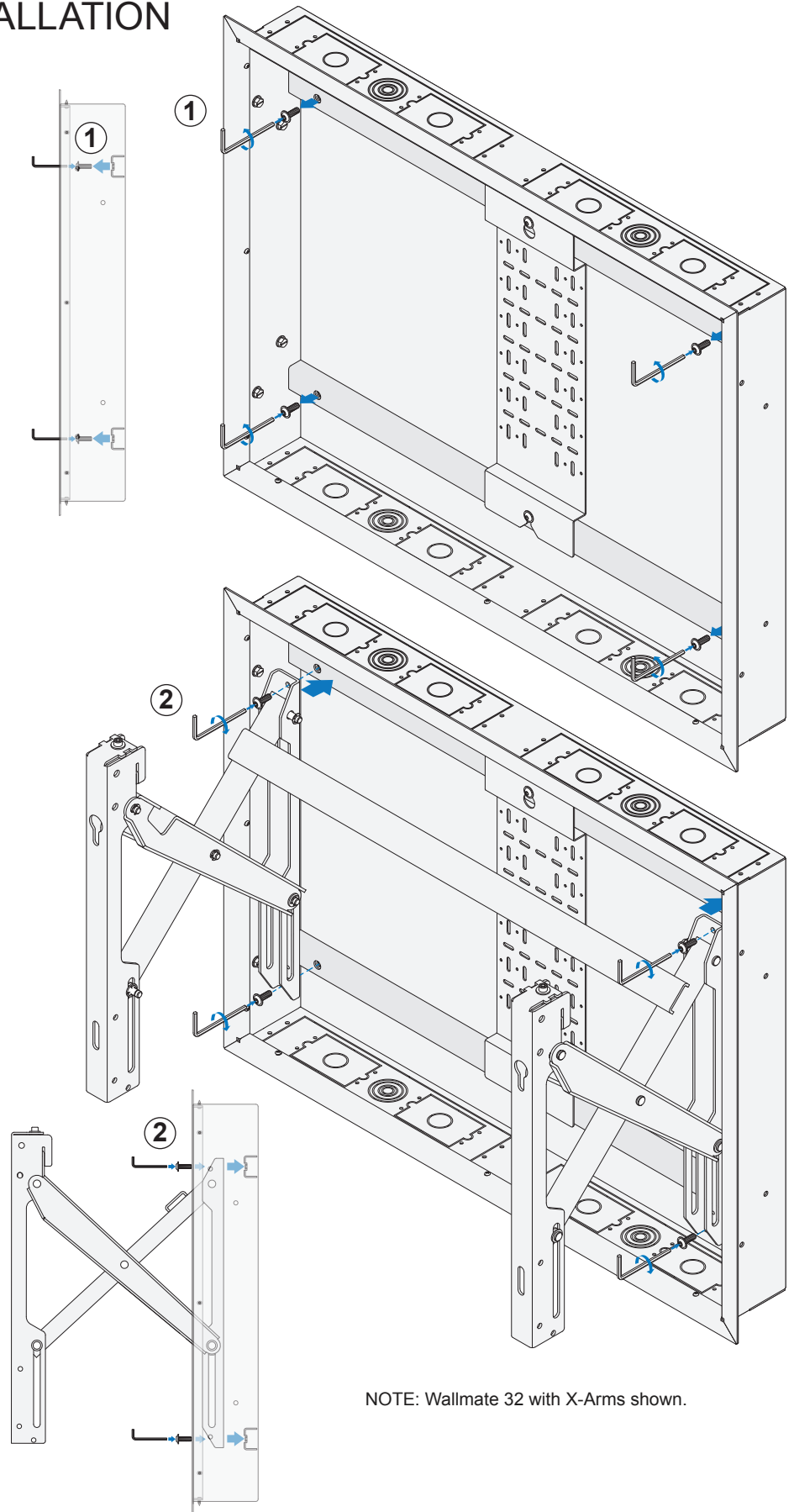
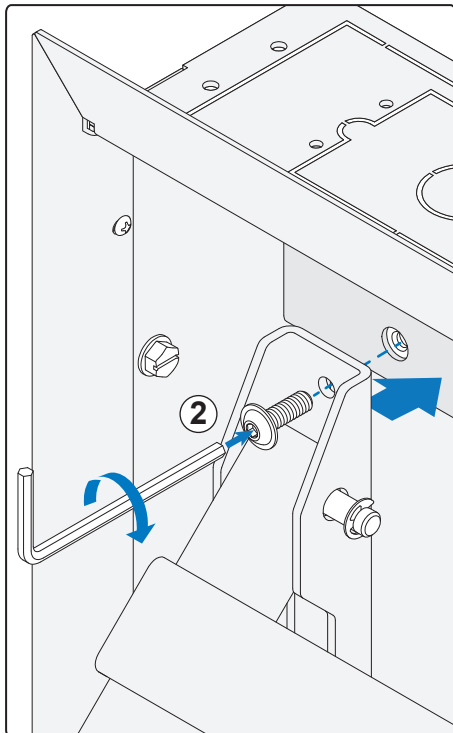
MOUNTING ARM INSTALLATION

Install X-Arms

- 1 Remove four screws from Back Box to install mounting arms.



- 2 Extend X-Arms and install in Back Box.



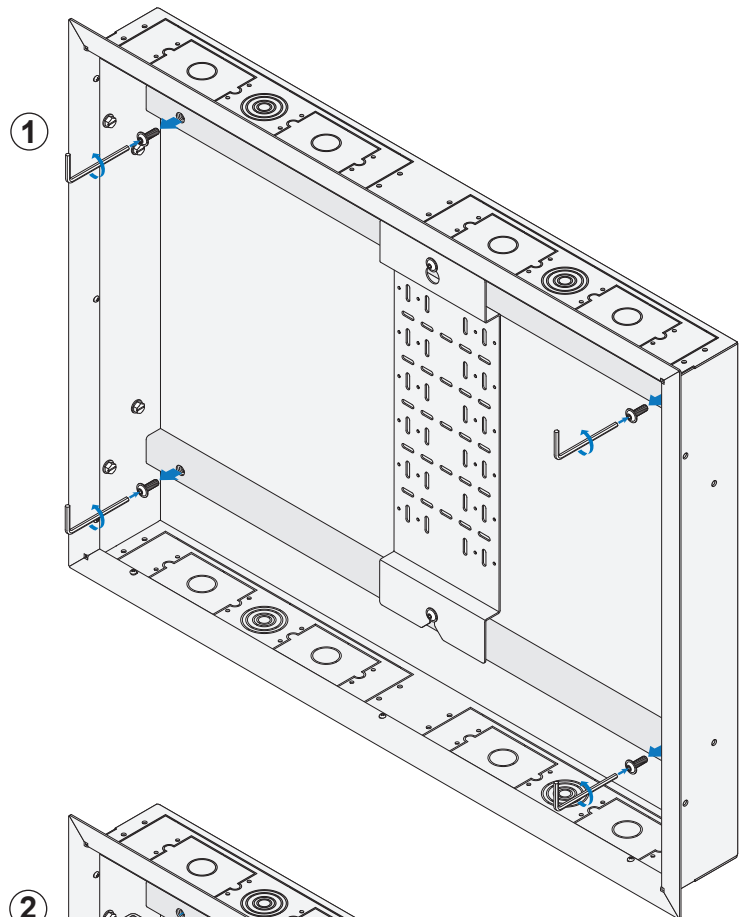
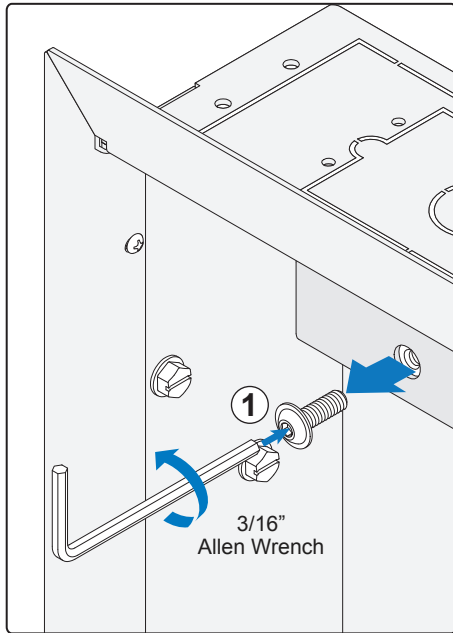
NOTE: Wallmate 32 with X-Arms shown.

MOUNTING ARM INSTALLATION (CONTINUED)

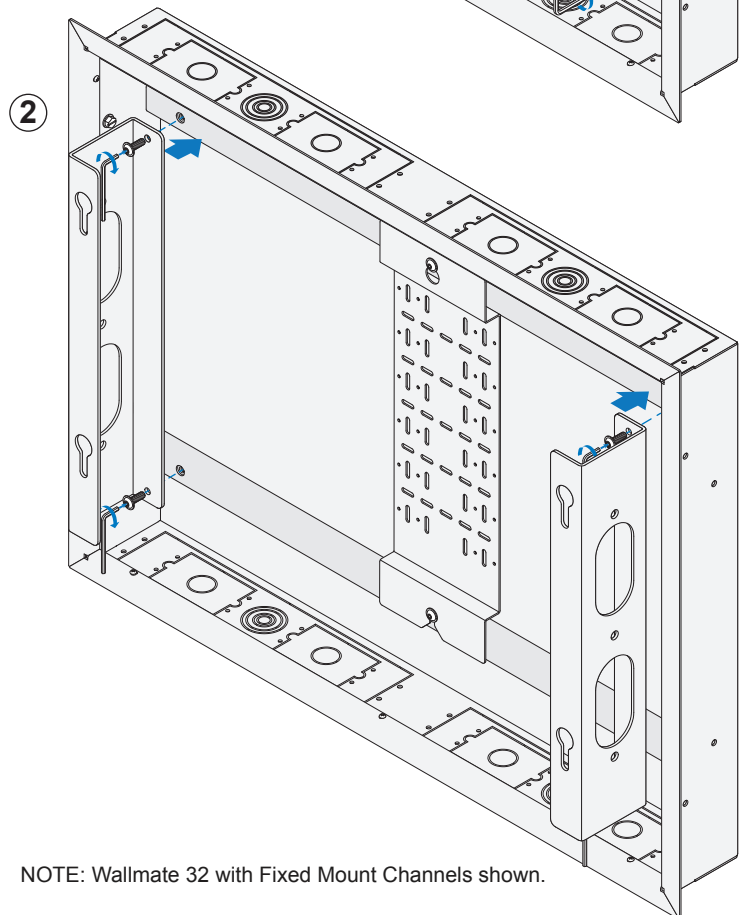
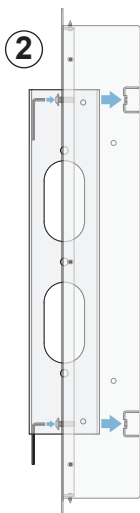
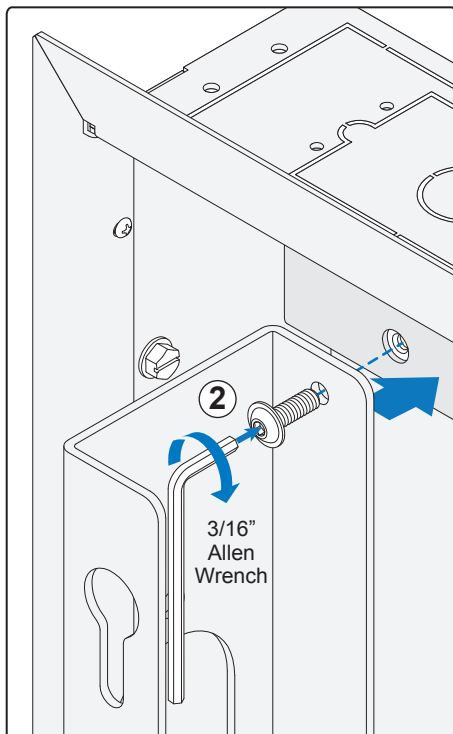
Install Fixed Mount Channels

Note: Fixed Mount Channels not available for Wallmate 32MAX.

- 1 Remove four screws from Back Box to install mounting channels.



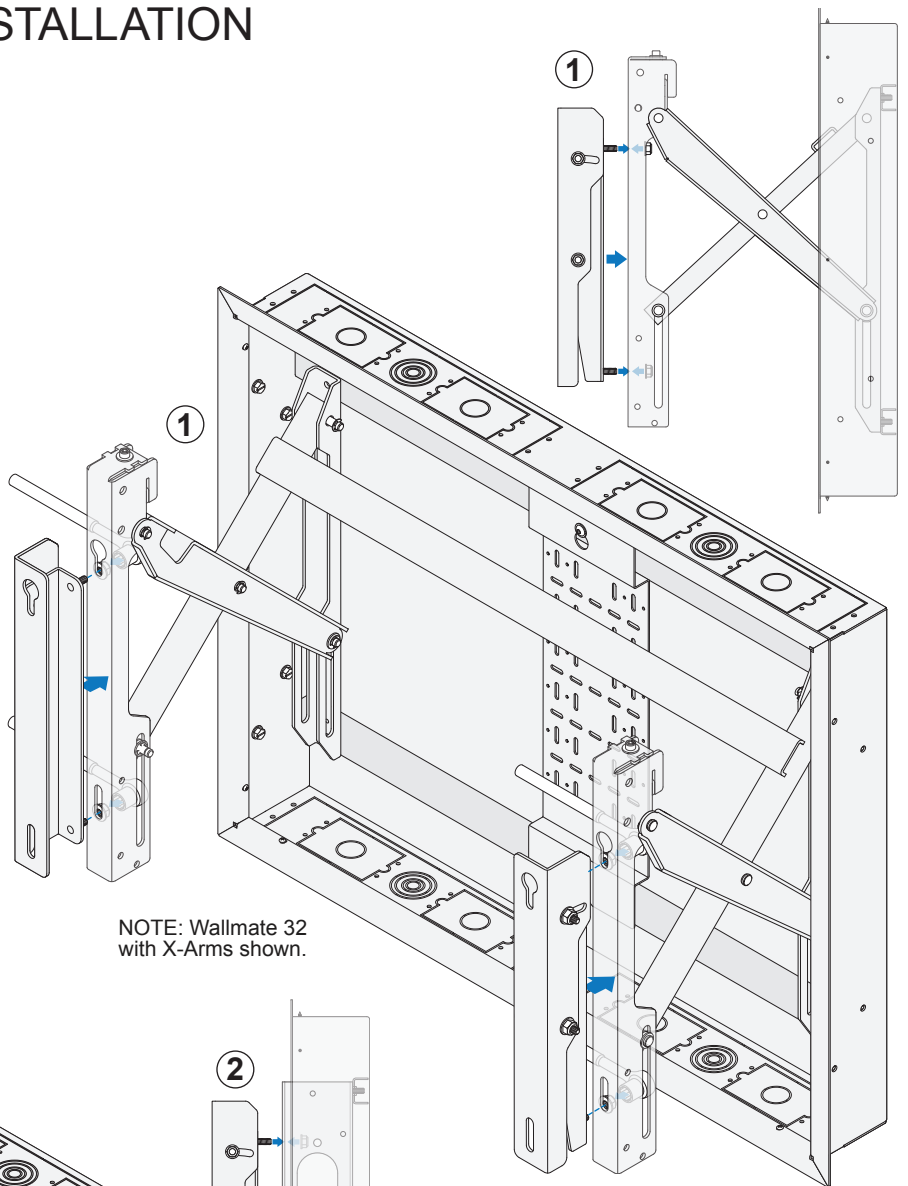
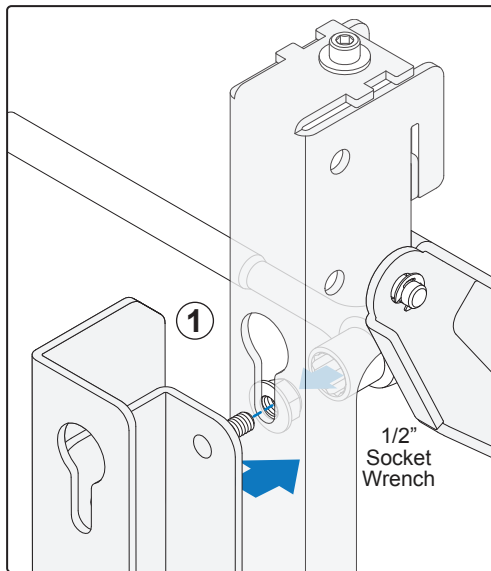
- 2 Mount Fixed Mount Channels.



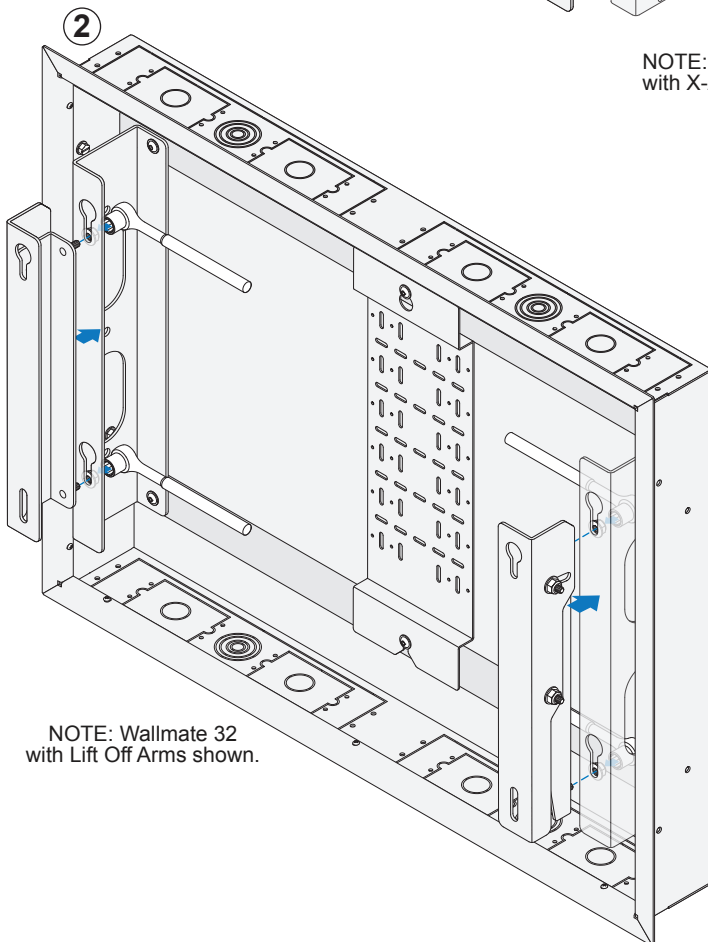
NOTE: Wallmate 32 with Fixed Mount Channels shown.

OPTIONAL TILT ARM INSTALLATION

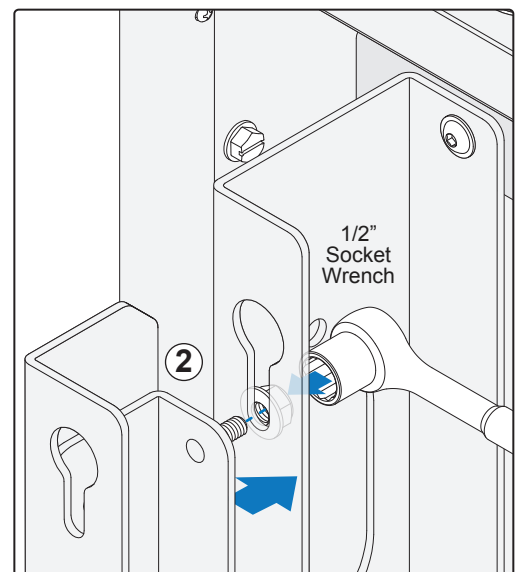
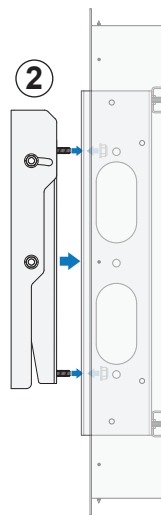
Mount to X-Arms



Mount to Fixed Mount Channels



NOTE: Wallmate 32 with X-Arms shown.



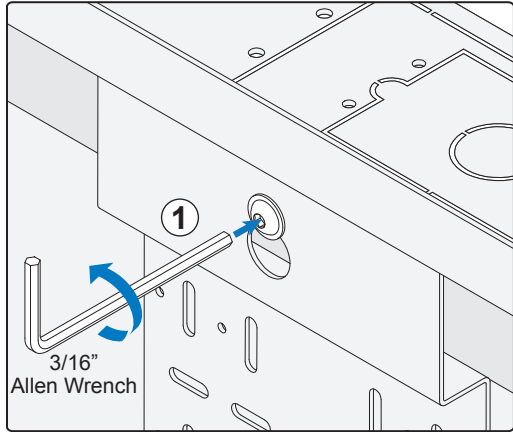
NOTE: Wallmate 32 with Lift Off Arms shown.

ACCESSORY COMPONENT INSTALLATION

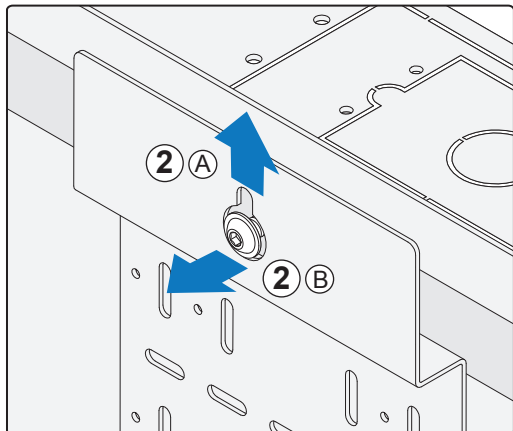
Mount to Peripheral Plate

NOTE: If space for additional components is required, replace standard Peripheral Plate with RPWM-32-PM Peripheral Plate or install RPWM-TRAY Auxiliary Box into the bottom of Back Box. Standard Peripheral Plate included with Wallmate 16 and 32 shown.

- 1 Loosen screws holding Peripheral Plate in place.



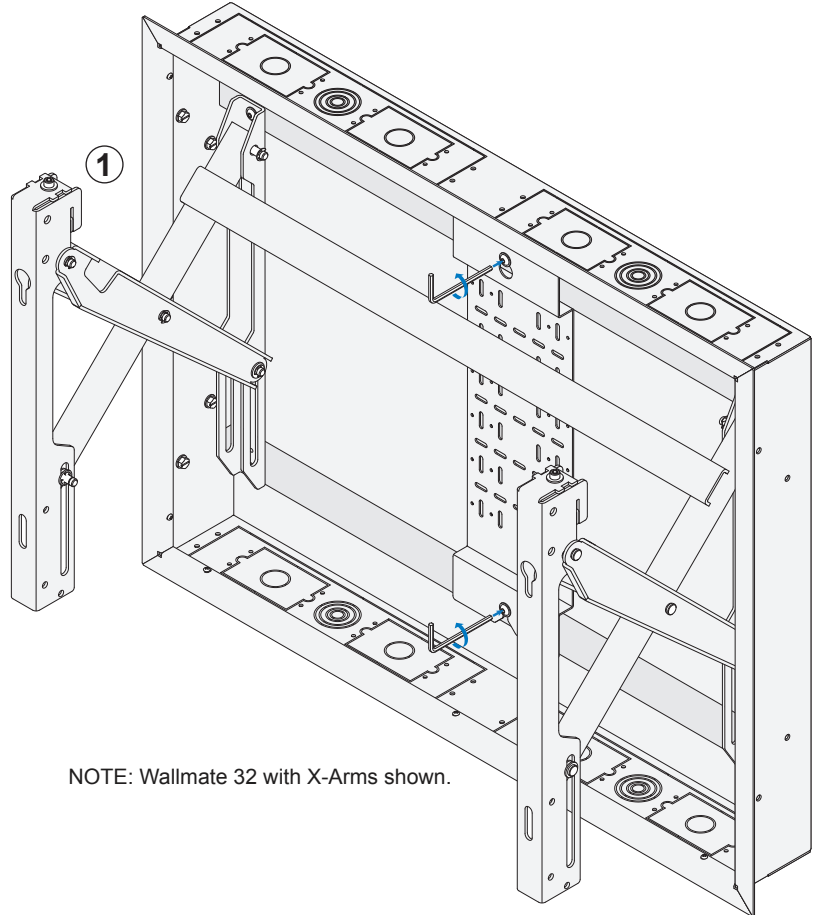
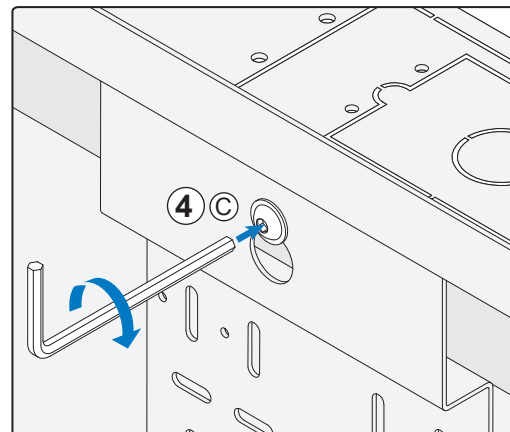
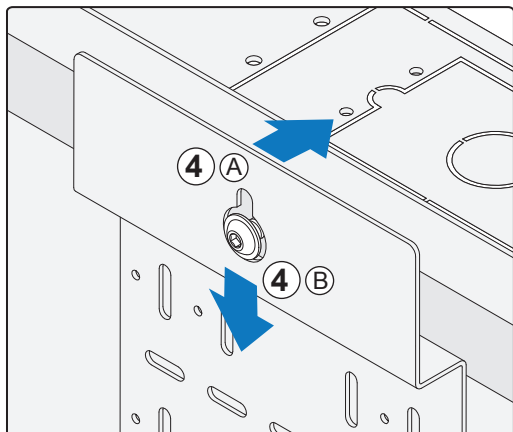
- 2 Lift Plate up and out of Back Box.



- 3 Install components.

Note: Components typically attached to Peripheral Plate with Zip Ties. Ensure they clear X-Arm in closed position or face of Lift Off Arm.

- 4 Hang Plate and tighten screws.



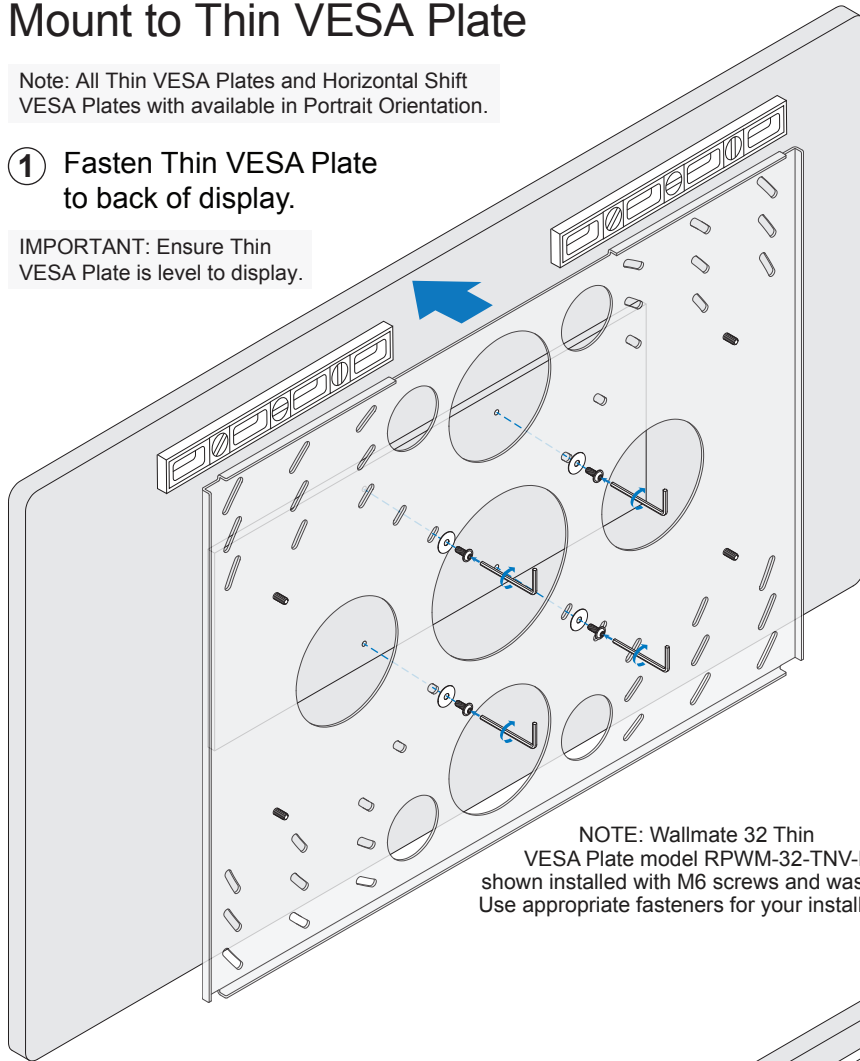
DISPLAY INSTALLATION

Mount to Thin VESA Plate

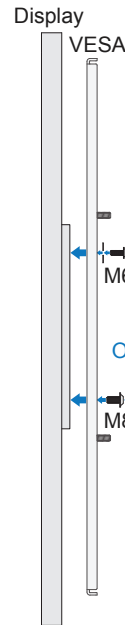
Note: All Thin VESA Plates and Horizontal Shift VESA Plates with available in Portrait Orientation.

① Fasten Thin VESA Plate to back of display.

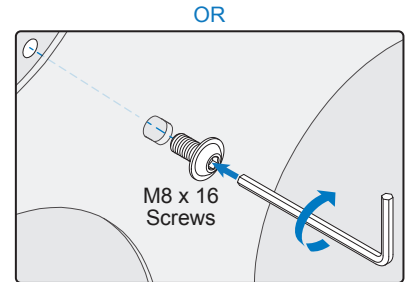
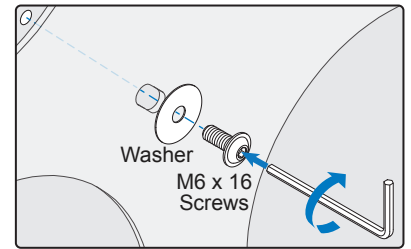
IMPORTANT: Ensure Thin VESA Plate is level to display.



NOTE: Wallmate 32 Thin VESA Plate model RPWM-32-TNV-L shown installed with M6 screws and washers. Use appropriate fasteners for your installation.



Note: M6 and M8 mounting fasteners included. Use washer with M6 screws.



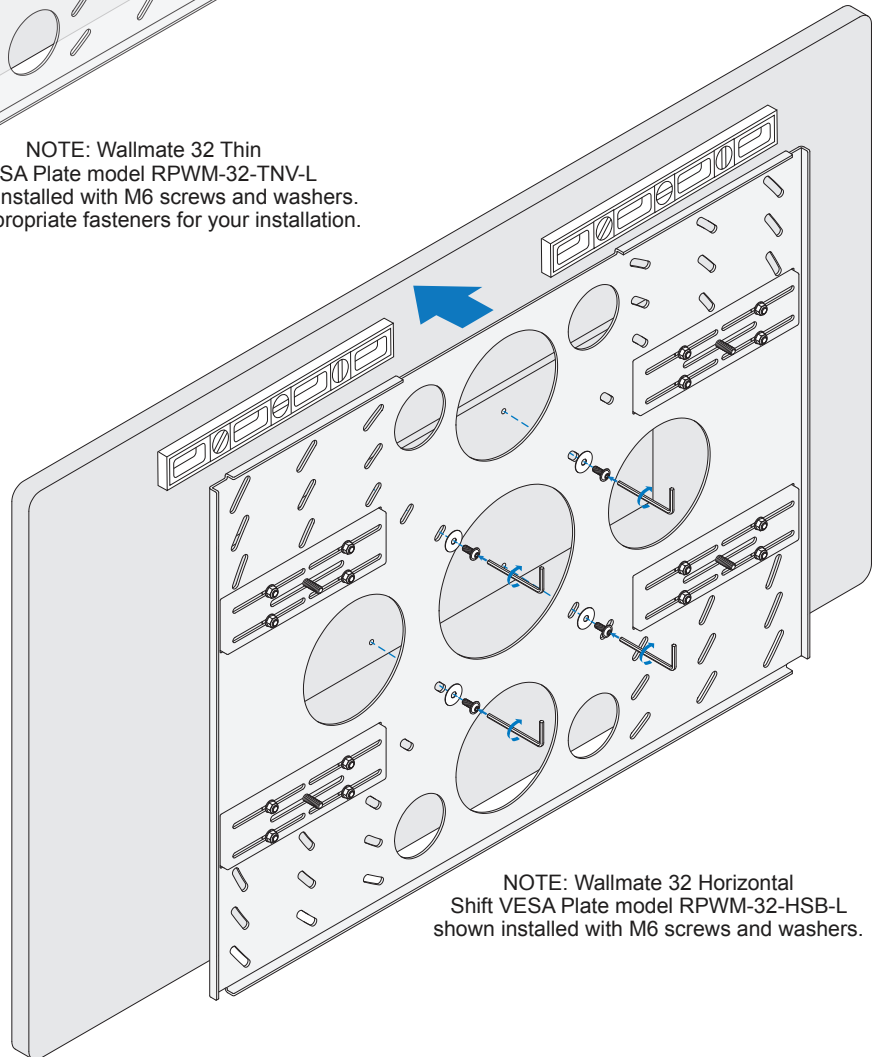
IMPORTANT: Fasteners provided fit most displays. Test fasteners to ensure they are correct size and length. Longer screws may damage display.

Mount to Horizontal Shift VESA Plate

NOTE: Horizontal Shift VESA Plate is optional with Wallmate 16 and 32 and standard with Wallmate 32MAX. Shift is +/- 2".

② Fasten Horizontal Shift VESA Plate to back of display.

IMPORTANT: Ensure Horizontal Shift VESA Plate is level to display.



NOTE: Wallmate 32 Horizontal Shift VESA Plate model RPWM-32-HSB-L shown installed with M6 screws and washers.

DISPLAY INSTALLATION (CONTINUED)

Install VESA Plate to X-Arms

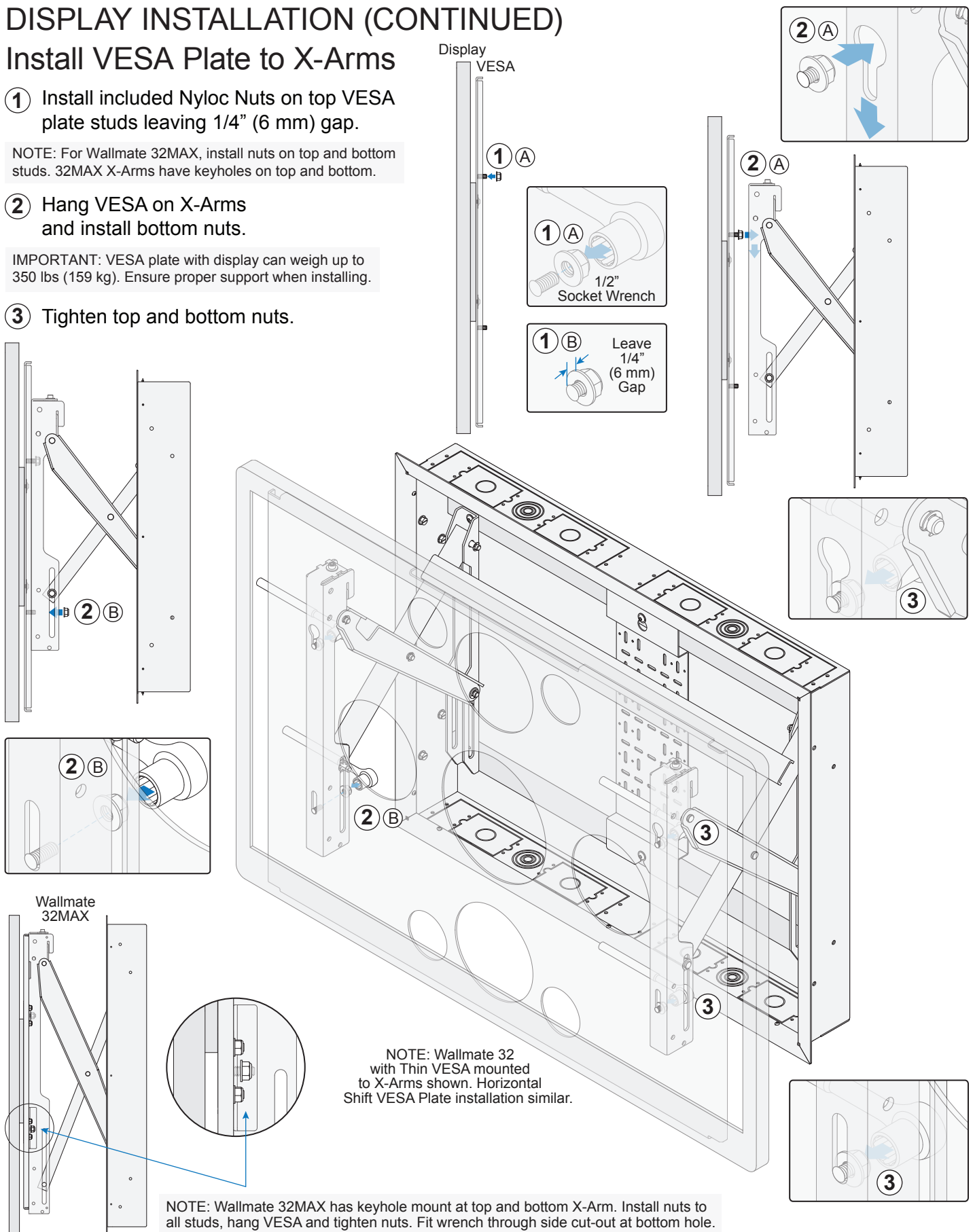
- 1 Install included Nyloc Nuts on top VESA plate studs leaving 1/4" (6 mm) gap.

NOTE: For Wallmate 32MAX, install nuts on top and bottom studs. 32MAX X-Arms have keyholes on top and bottom.

- 2 Hang VESA on X-Arms and install bottom nuts.

IMPORTANT: VESA plate with display can weigh up to 350 lbs (159 kg). Ensure proper support when installing.

- 3 Tighten top and bottom nuts.



NOTE: Wallmate 32 with Thin VESA mounted to X-Arms shown. Horizontal Shift VESA Plate installation similar.

NOTE: Wallmate 32MAX has keyhole mount at top and bottom X-Arm. Install nuts to all studs, hang VESA and tighten nuts. Fit wrench through side cut-out at bottom hole.

DISPLAY INSTALLATION (CONTINUED)

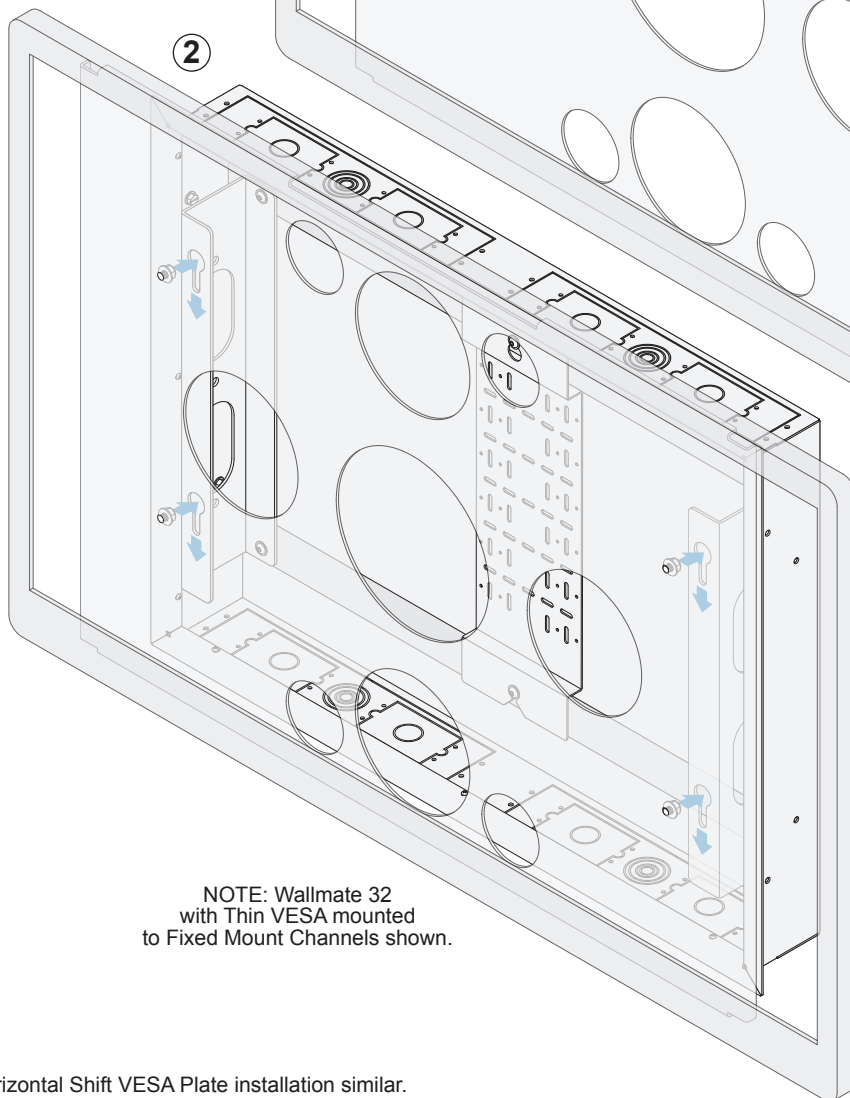
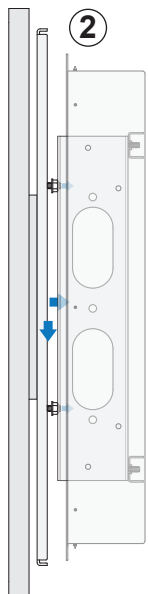
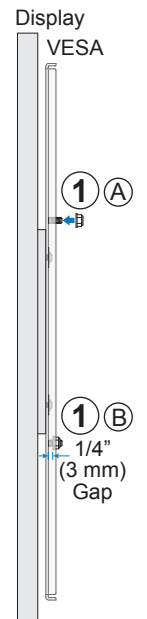
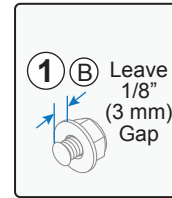
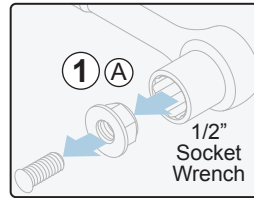
Install VESA Plate to Fixed Mount Channels

NOTE: Fixed Mount metal is 0.1" thick. Leave 1/8" (0.125") Gap for mounting. Check consistent dimensions stated.

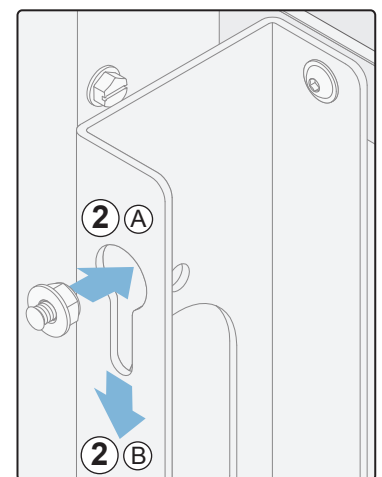
- 1 Install included Nyloc Nuts on VESA plate leaving 1/8" (3 mm) gap.

IMPORTANT: VESA plate with display can weigh up to 350 lbs (159 kg). Ensure proper support when installing.

- 2 Hang VESA on Fixed Mount Channels.



NOTE: Wallmate 32 with Thin VESA mounted to Fixed Mount Channels shown.



← NOTE: Horizontal Shift VESA Plate installation similar.

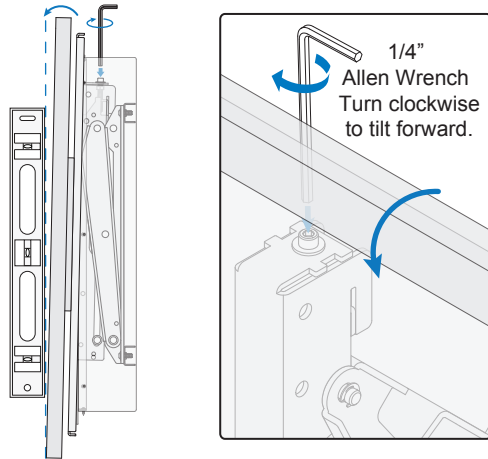
FINAL ADJUSTMENTS

Adjust Display to Plumb

If the display is not plumb, adjust the angle of the X-Arms +/- 0.6 degrees.

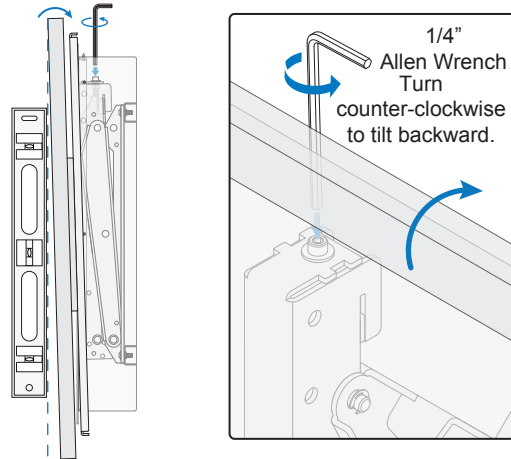
CAUTION: Adjust both arms in sequence. Turning one arm too far without the other could put stress on and damage the display.

Turn X-Arm bolt clockwise to tilt display forward up to .6 degrees.



OR

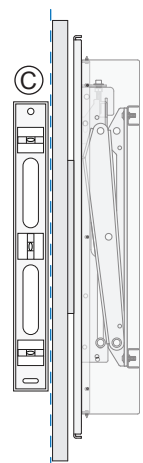
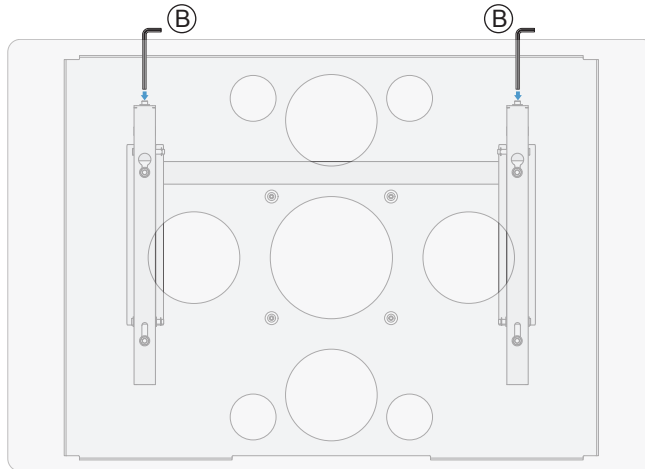
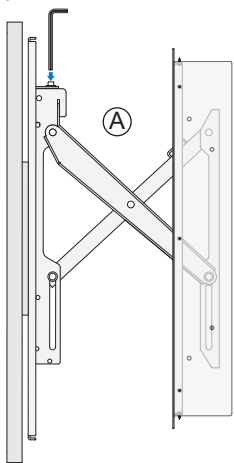
Turn X-Arm bolt counter-clockwise to tilt display backward up to .6 degrees.



IMPORTANT: Rotate bolt one turn on left arm. Repeat same turn on right arm. Continue to make same small adjustments on each arm until tilt is at desired angle and display is plumb.

Open X-Arm to access bolt.

Close to check plumb.

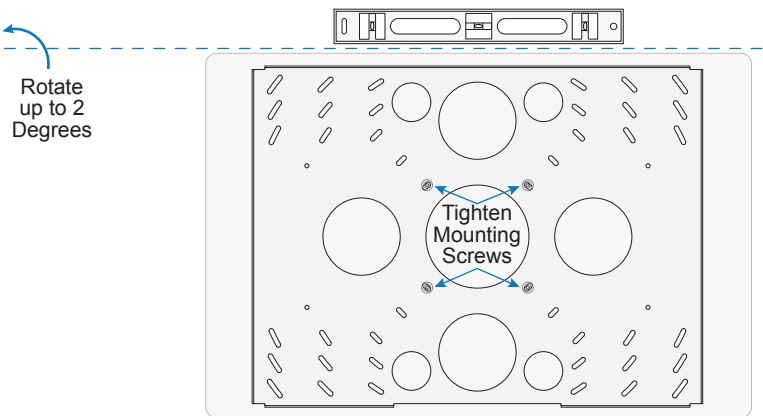
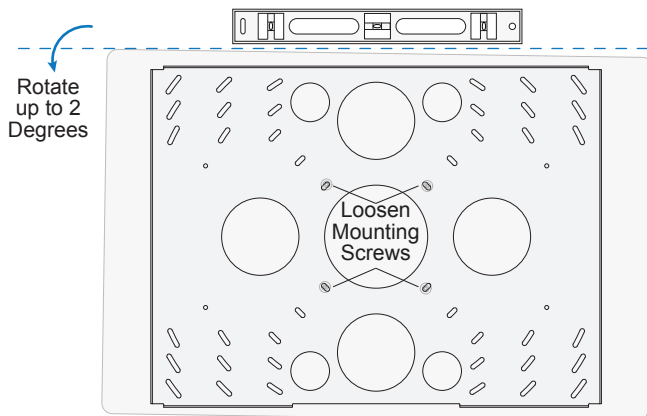


Adjust Display to Level

If the display is not level, unistall display to adjust VESA plate mounting angle +/- 2 degrees.

Loosen M6 or M8 screws and rotate display to level. See Page 13.

Tighten screws and install display as shown on Pages 14 -15.

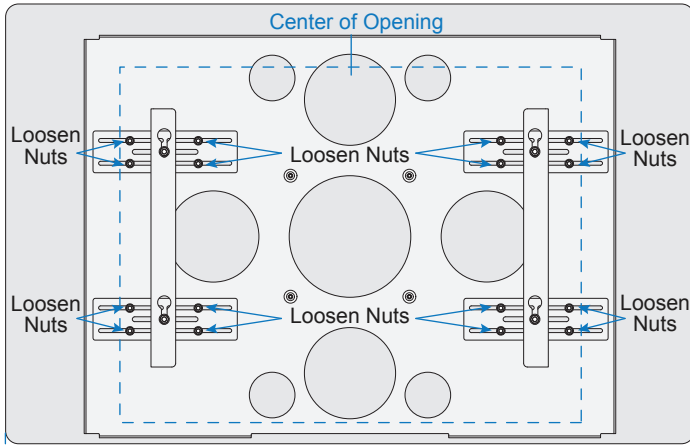


FINAL ADJUSTMENTS (CONTINUED)

Adjust Horizontal Shift VESA Plate

- 1 Loosen Small Nuts on Horizontal Shift Inserts attached to VESA plate.

Note: Do not loosen Large Center Nuts. They hold VESA plate to Mounting Arms.



NOTE: Horizontal Shift VESA Plate mounted to Fixed Mount Channels on Wallmate 32 shown. Installations mounted to X-Arms similar.

- 2 Slide display and VESA plate left or right to desired position. Tighten all nuts securely.

Note: Maximum adjustment is 2" (51 mm) in either direction.

